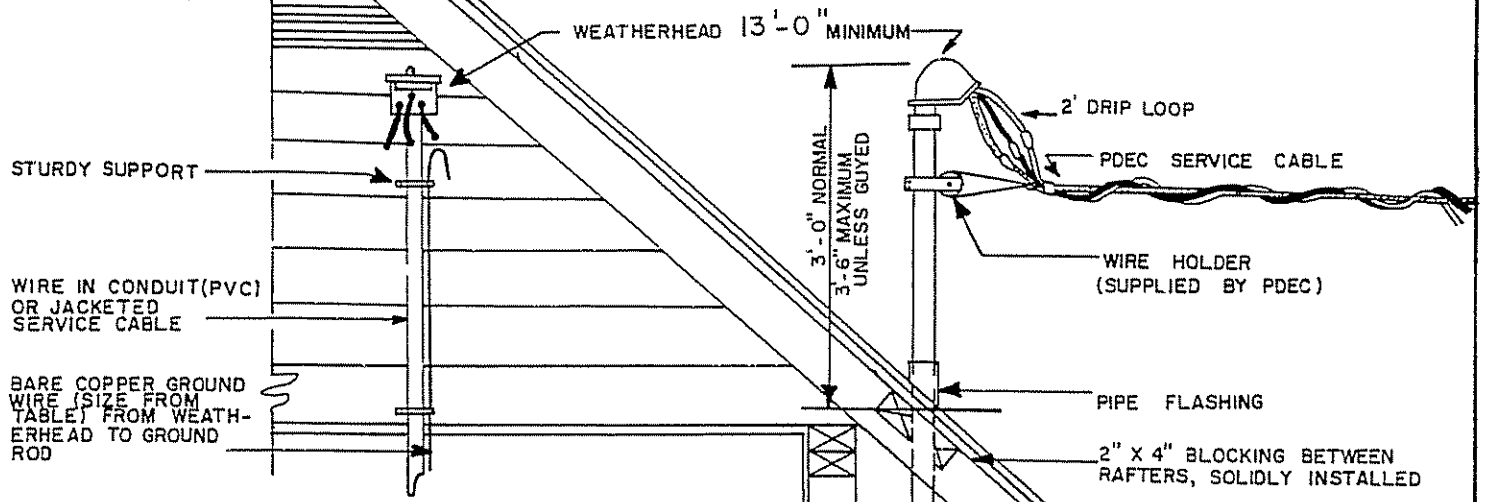
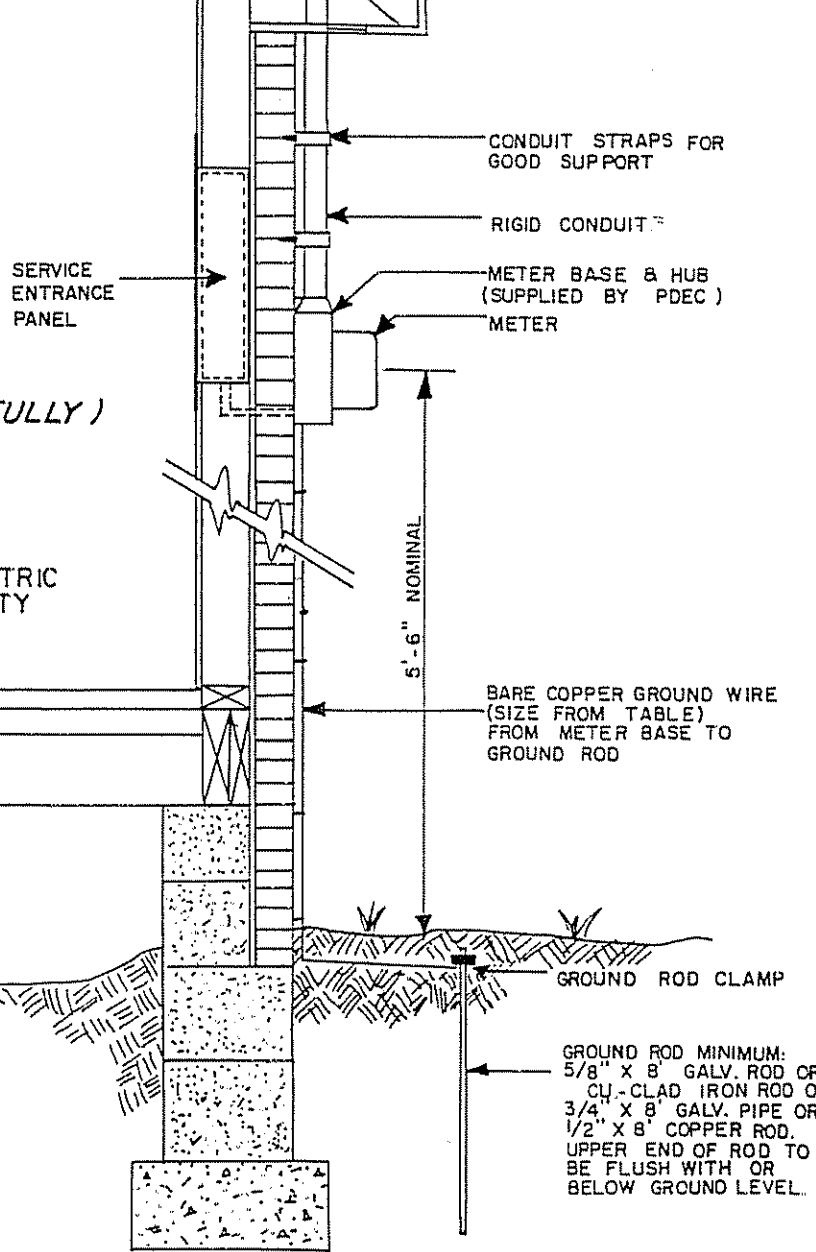


PEE DEE ELECTRIC COOPERATIVE, INC.
OVERHEAD SERVICE ENTRANCE



MAIN ENTRANCE SIZE IN AMPS	SIZE COPPER SERVICE WIRE	SIZE RIGID CONDUIT	SIZE ALUMINUM SERVICE WIRE	SIZE RIGID CONDUIT	SIZE GROUND WIRE (COPPER)
100	#4	2"	#2	2"	#6
150	#1	2	2/0	2	#6
200	2/0	2	4/0	2	#4
225	4/0	2	300 MCM	2 1/2	#2
250	250 MCM	2 1/2	350 MCM	2 1/2	#2
300	350 MCM	3	500 MCM	3	#2
400	500 MCM	3			1/0



NOTES: (PLEASE READ CAREFULLY)

- 1 ALL METER LOCATIONS MUST BE APPROVED BY P. D. E. C.
- 2 THIS IS A GENERAL OUTLINE. SPECIFIC CASES MAY VARY. THE NATIONAL ELECTRIC CODE AND NATIONAL ELECTRIC SAFETY CODE GOVERN.

THIS SPEC SHEET IS NOT FOR MOBILE HOMES. (SEE OTHER SIDE)

GROUND ROD MINIMUM:
 5/8" X 8' GALV. ROD OR
 CU-CLAD IRON ROD OR
 3/4" X 8' GALV. PIPE OR
 1/2" X 8' COPPER ROD.
 UPPER END OF ROD TO BE FLUSH WITH OR BELOW GROUND LEVEL.